

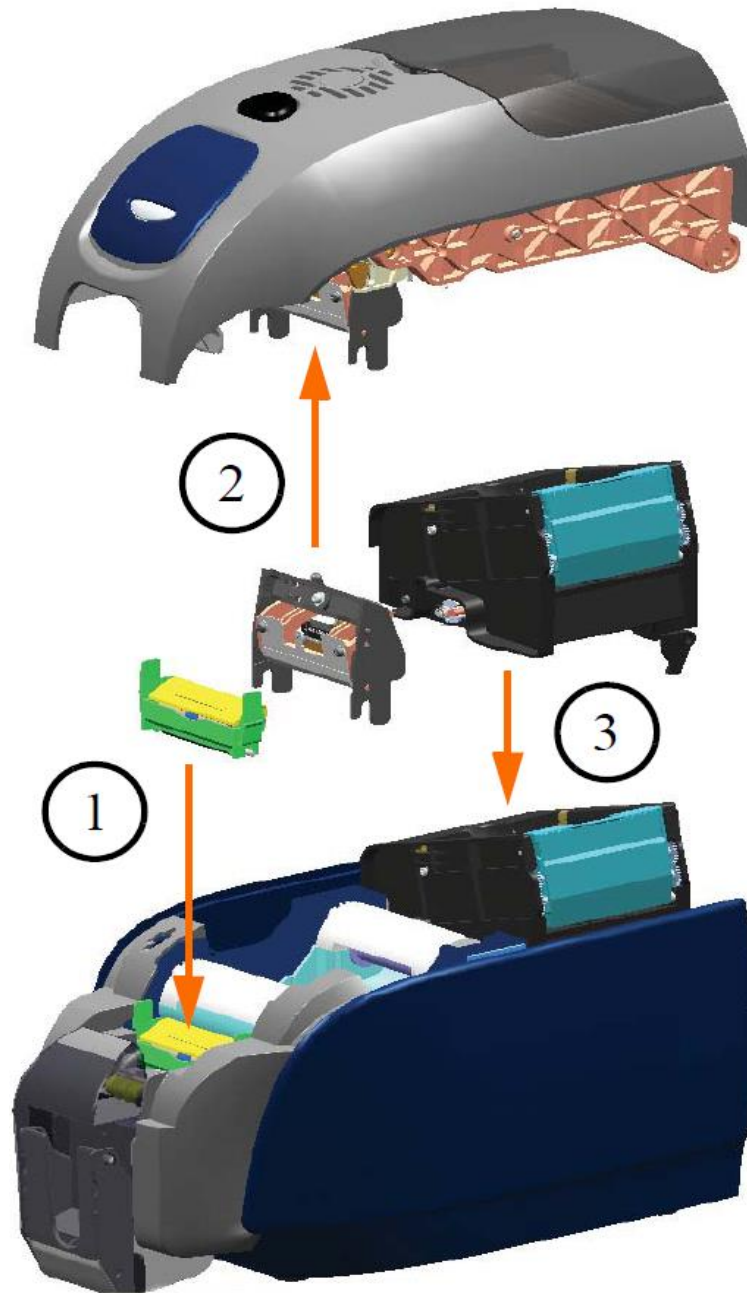


Zebra® ZXP Series 3™ Card Printer

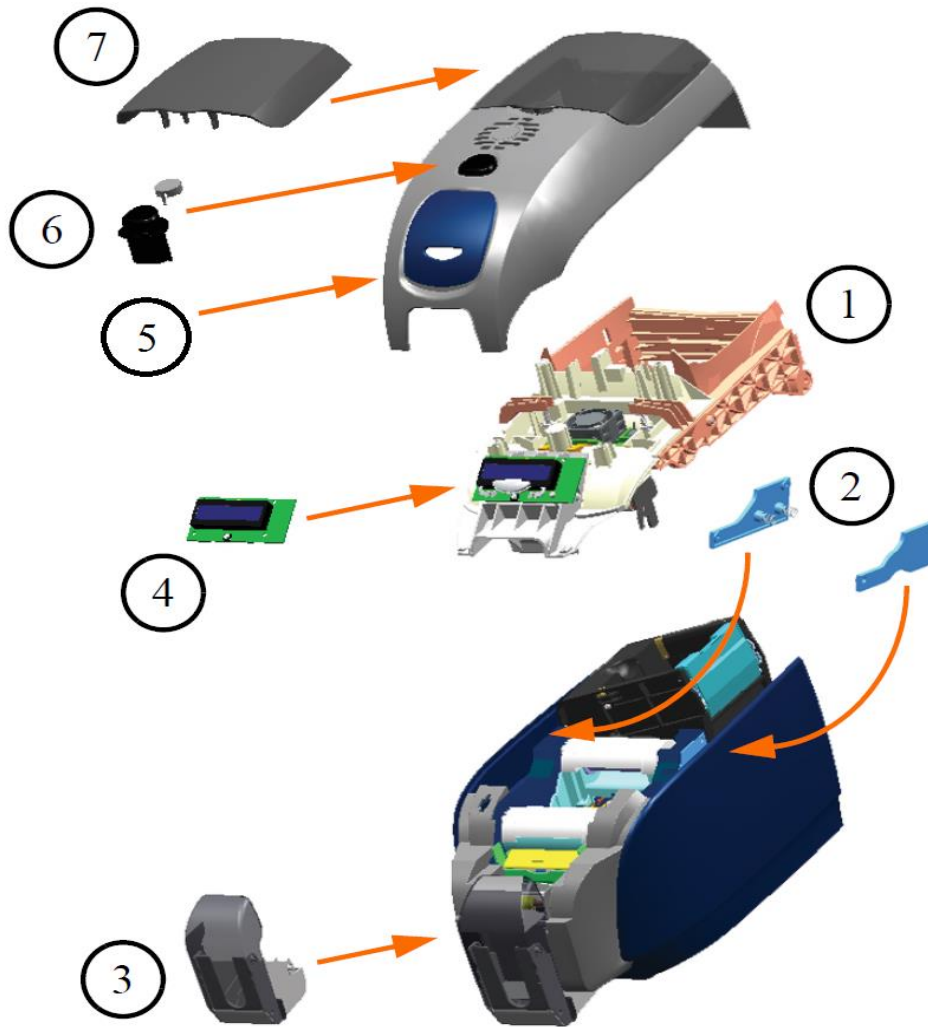
Spare Parts Catalog



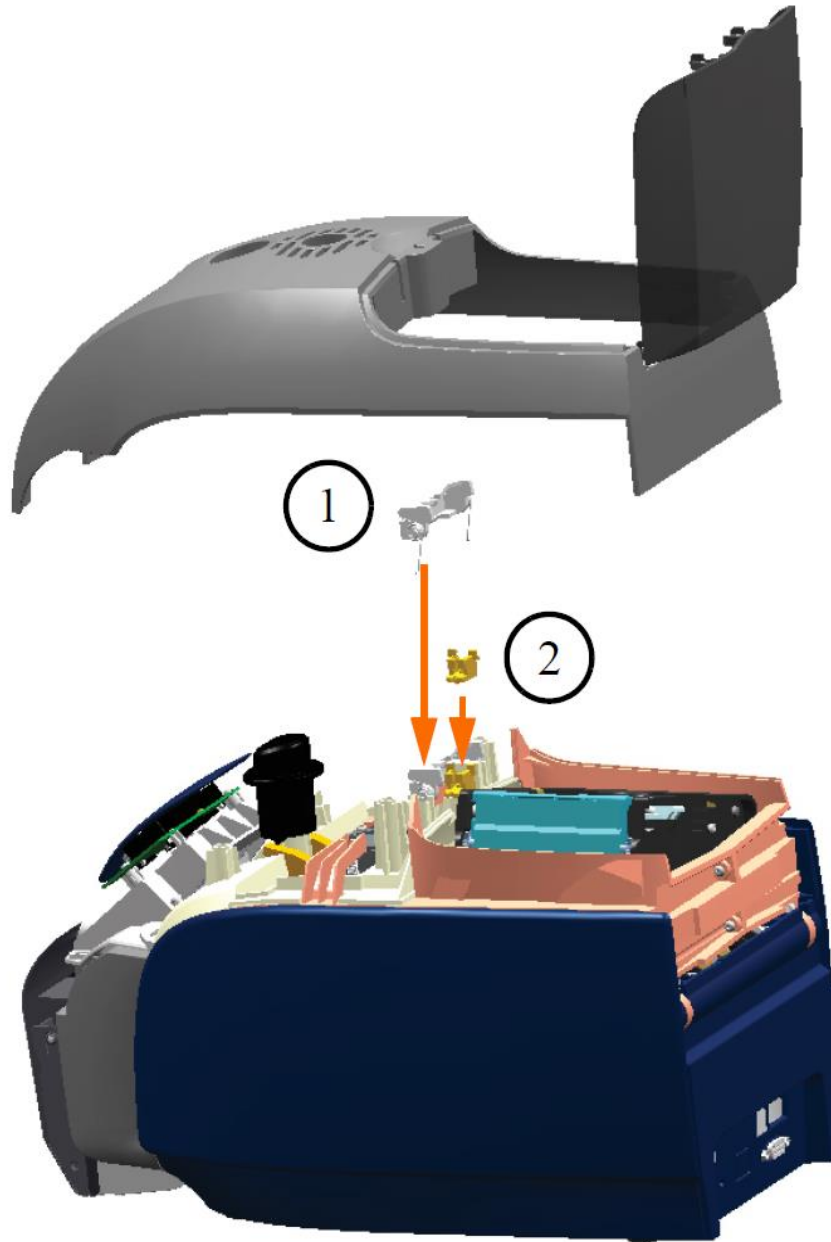
Item Number	Description	Part Number	Kit Quantity
1	Kit Cover for Feeder ZXP3	P1031925-042	1
2	Kit Side Panels and Bezels ZXP3 for Printer Part Number Z3x-xxxxx2xxxxx	P1031925-243	1



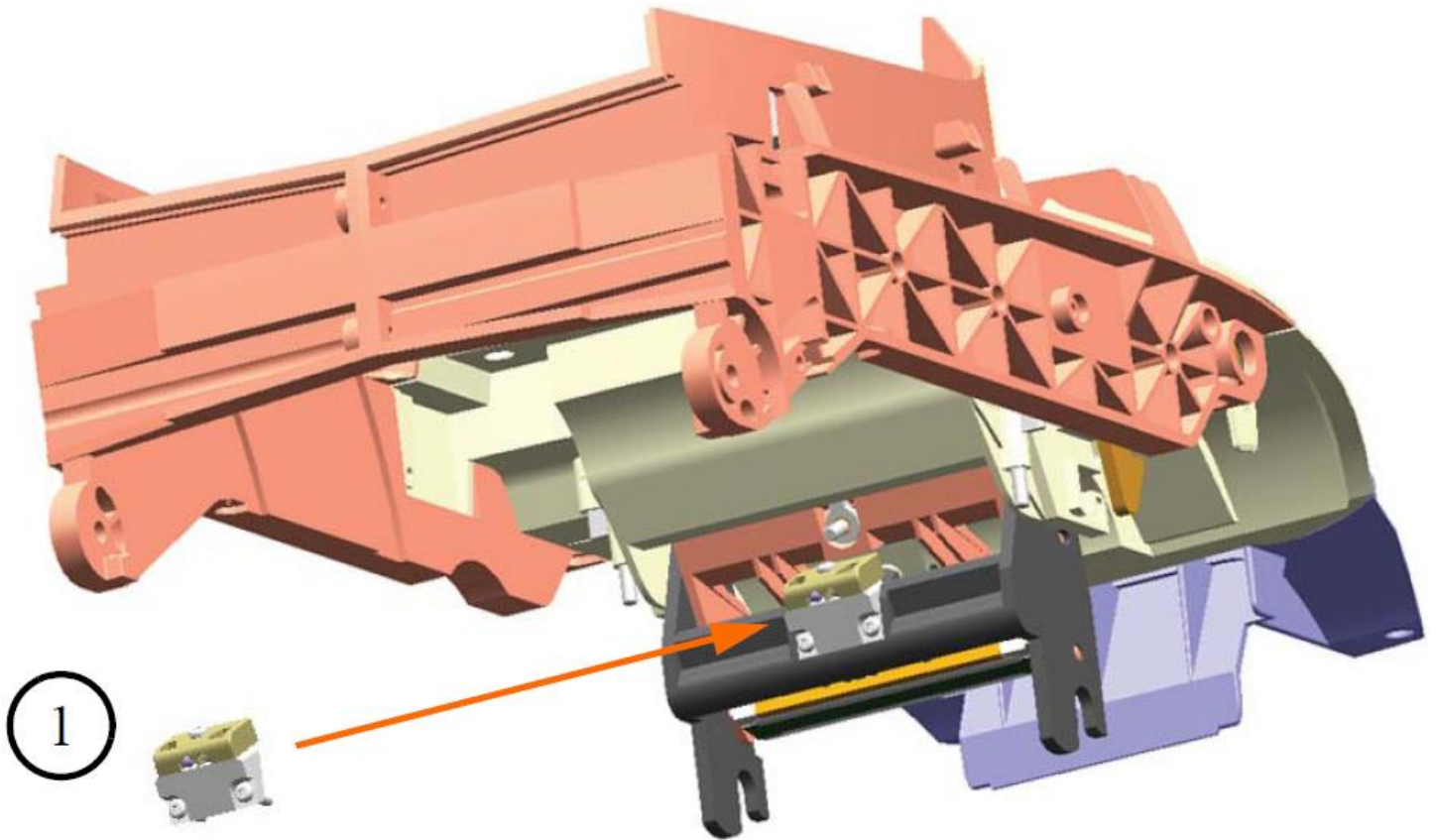
Item Number	Description	Part Number	Kit Quantity
1	Kit Spare Cleaning Roller Assembly ZXP3	P1031925-029	1
2	Kit Printhead ZXP3	P1031925-070	1
3	Kit Feeder Assembly ZXP3 for Printer Part Number Z3x-xxxxx2xxxxxx	P1031925-230	1



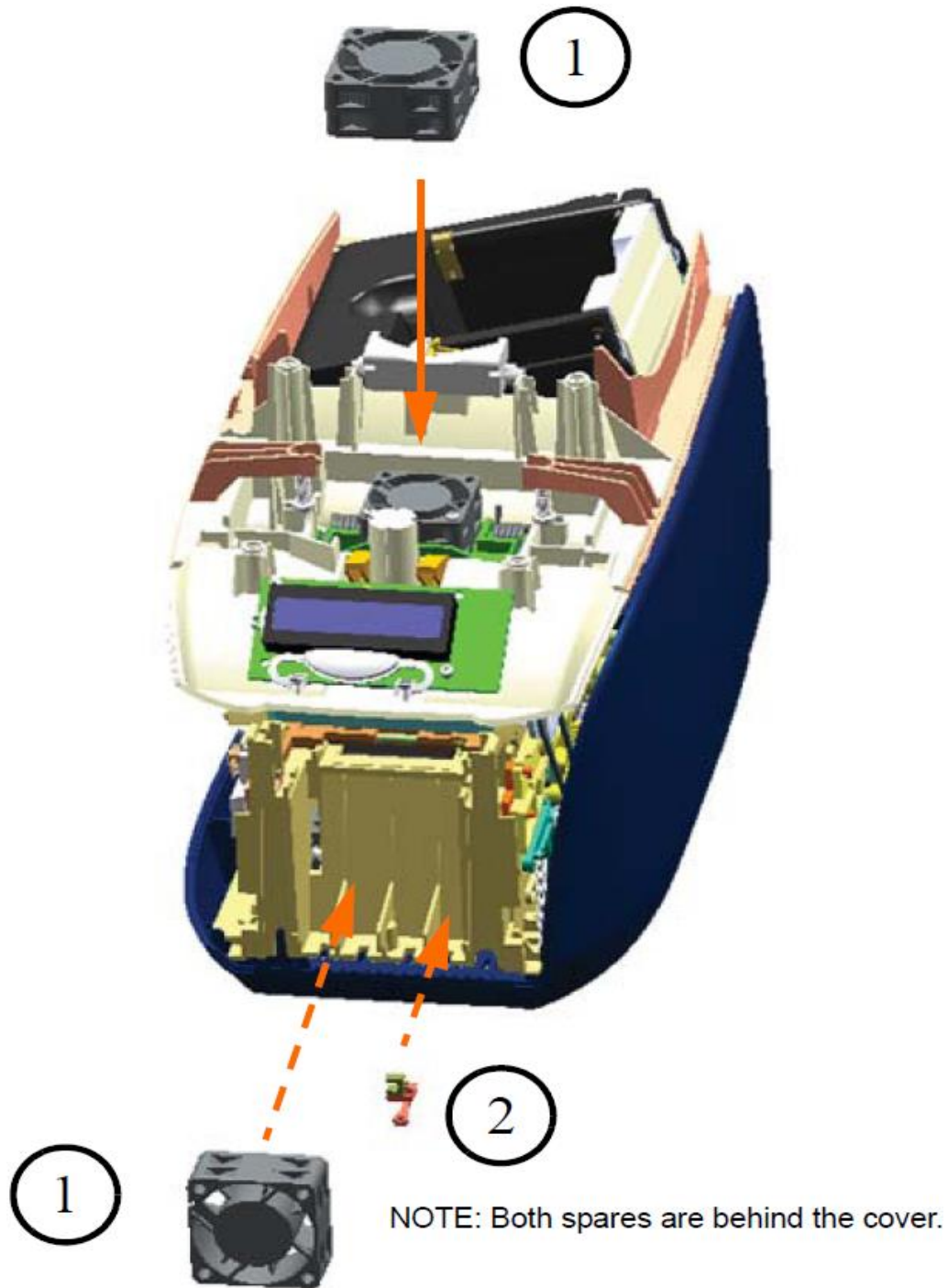
Item Number	Description	Part Number	Kit Quantity
1	Kit Inner Top Assembly ZXP3 for Printer Part Number Z3x-xxxxx2xxxxx	P1031925-235	1
2	Kit Covers for Frame ZXP3	P1031925-047	1
3	Kit Output Hopper Non-encoder ZXP3 for Printer Part Number Z3x-xxxxx2xxxxx	P1031925-244	1
4	Kit LCD Display PCBA ZXP3	P1031925-010	1
5	Kit Cover & Badge ZXP3 for Printer Part Number Z3x-xxxxx2xxxxx	P1031925-241	1
6	Kit Button for Door ZXP3 for Printer Part Number Z3x-xxxxx2xxxxx	P1031925-237	1
7	Kit Cover for Feeder ZXP3	P1031925-042	1



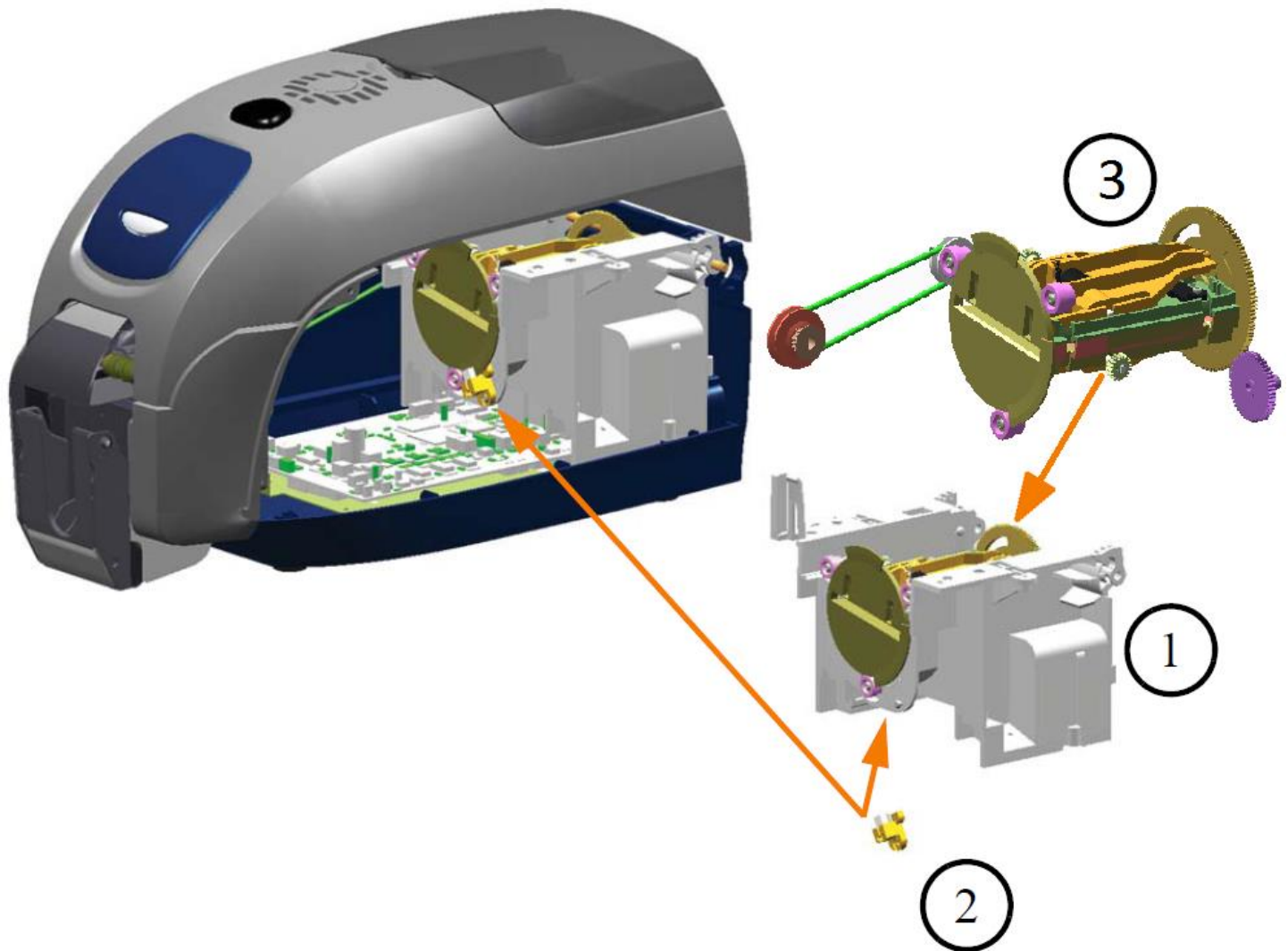
Item Number	Description	Part Number	Kit Quantity
1	Kit Latch for Feeder ZXP3	P1031925-038	1
2	Kit Feeder Cover Sensor ZXP3	P1031925-053	1



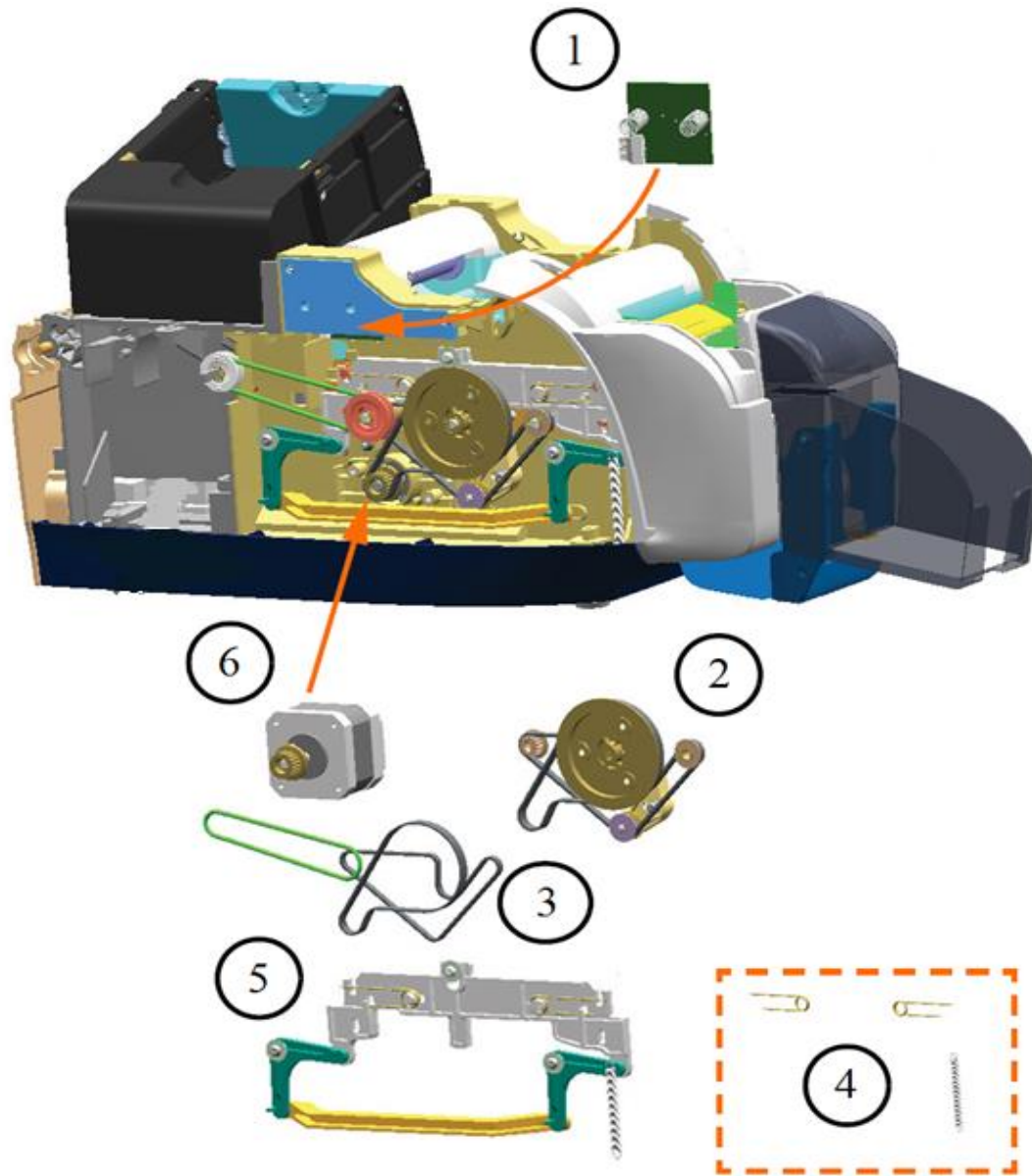
Item Number	Description	Part Number	Kit Quantity
1	Kit Ribbon Sensor ZXP3	P1031925-012	1



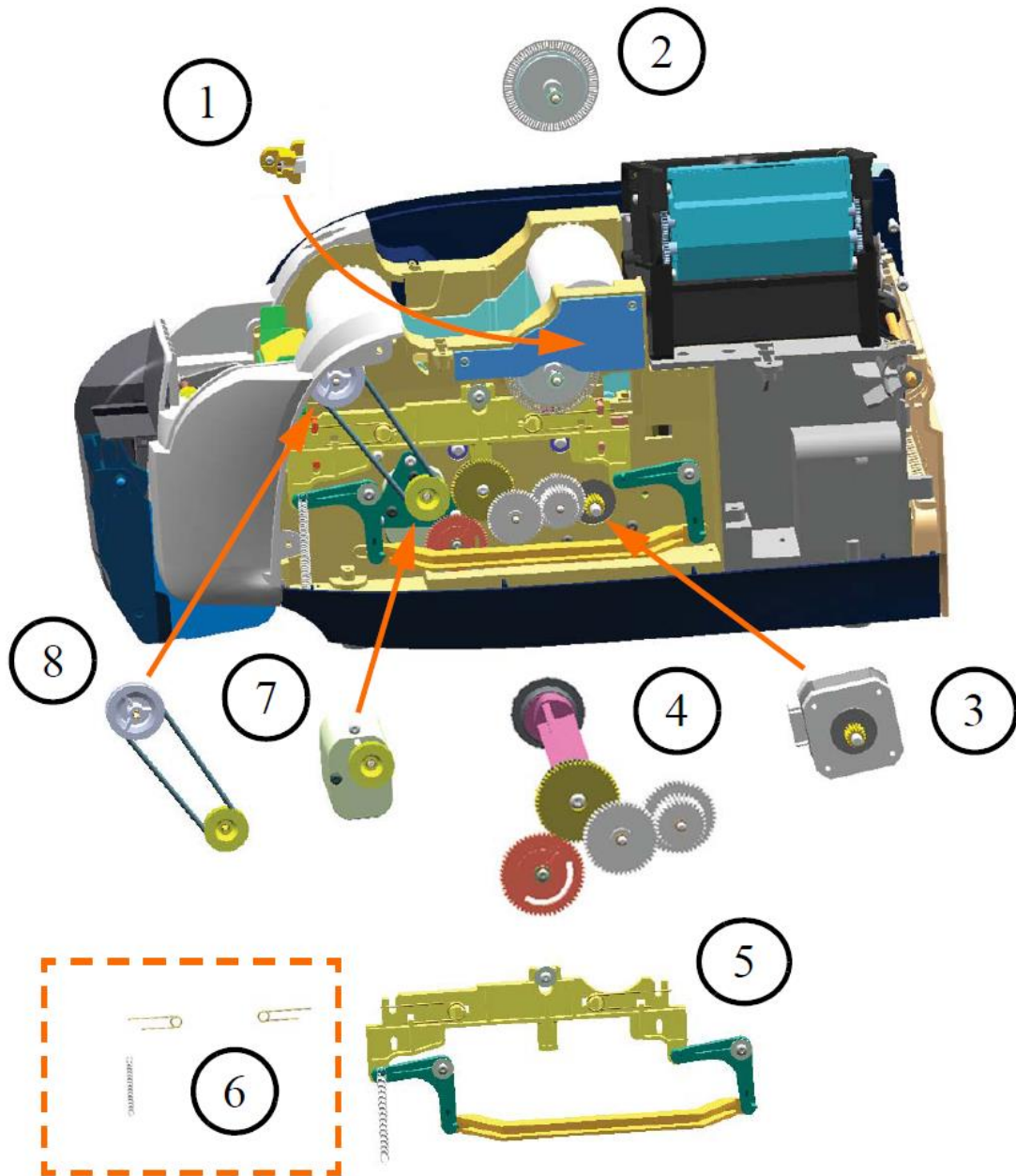
Item Number	Description	Part Number	Kit Quantity
1	Kit Cooling Fans ZXP3	P1031925-071	2
2	Kit ATM Sensor ZXP3	P1031925-014	1



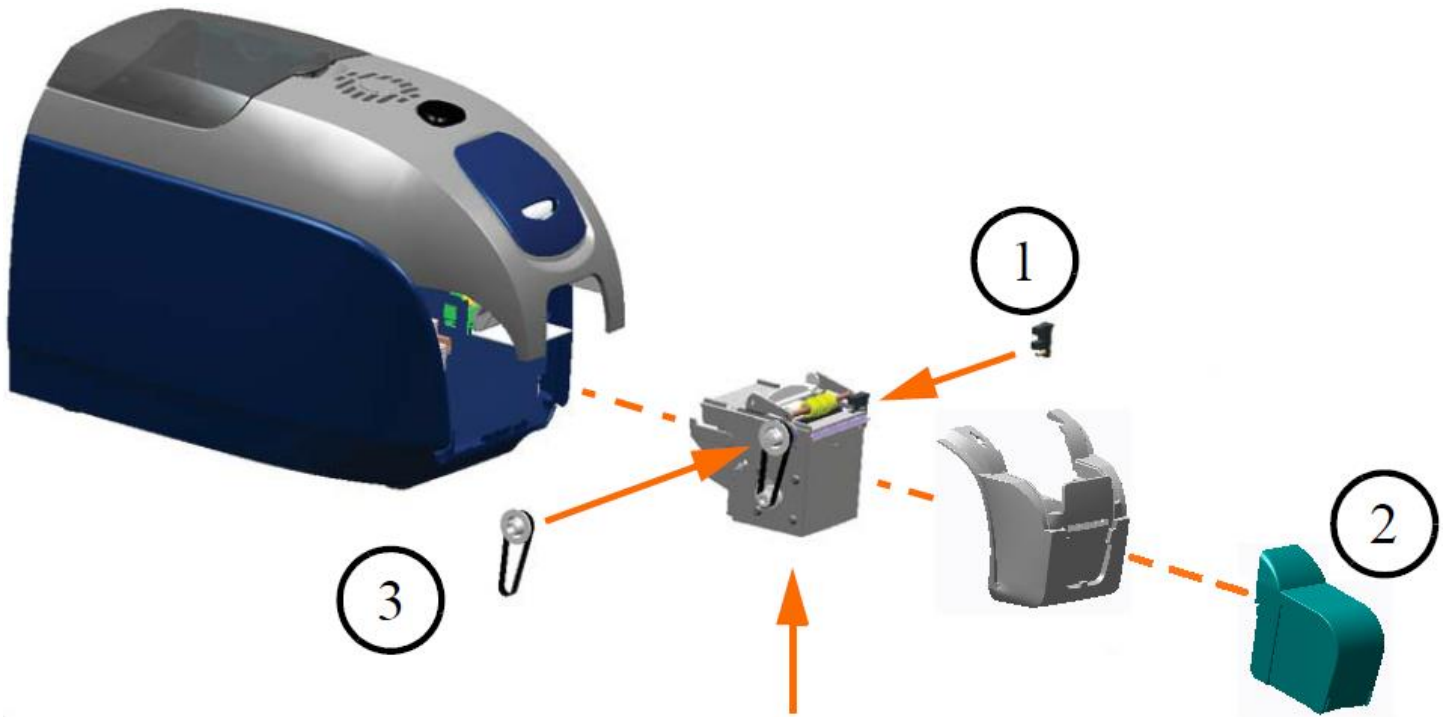
Item Number	Description	Part Number	Kit Quantity
1	Kit Flipper Assembly ZXP3	P1031925-076	1
2	Kit Flipper Sensor ZXP3	P1031925-055	1
3	Kit Carrier and Drive for Flipper ZXP3	P1031925-233	1



Item Number	Description	Part Number	Kit Quantity
1	Kit Cryptographic PCBA ZXP3	P1031925-009	1
2	Kit Drive System ZXP3 for Printer Part Number Z3x-xxxxx2xxxxxx	P1031925-224	1
3	Kit All Drive Belts ZXP3	P1031925-125	1
4	Kit Springs for Linkage (left and right side) ZXP3	P1031925-021	2
5	Kit Drive Linkage (left and right side) ZXP3	P1031925-072	2
6	Kit Card Drive Motor ZXP3 for Printer Part Number Z3x-xxxxx2xxxxxx	P1031925-217	1

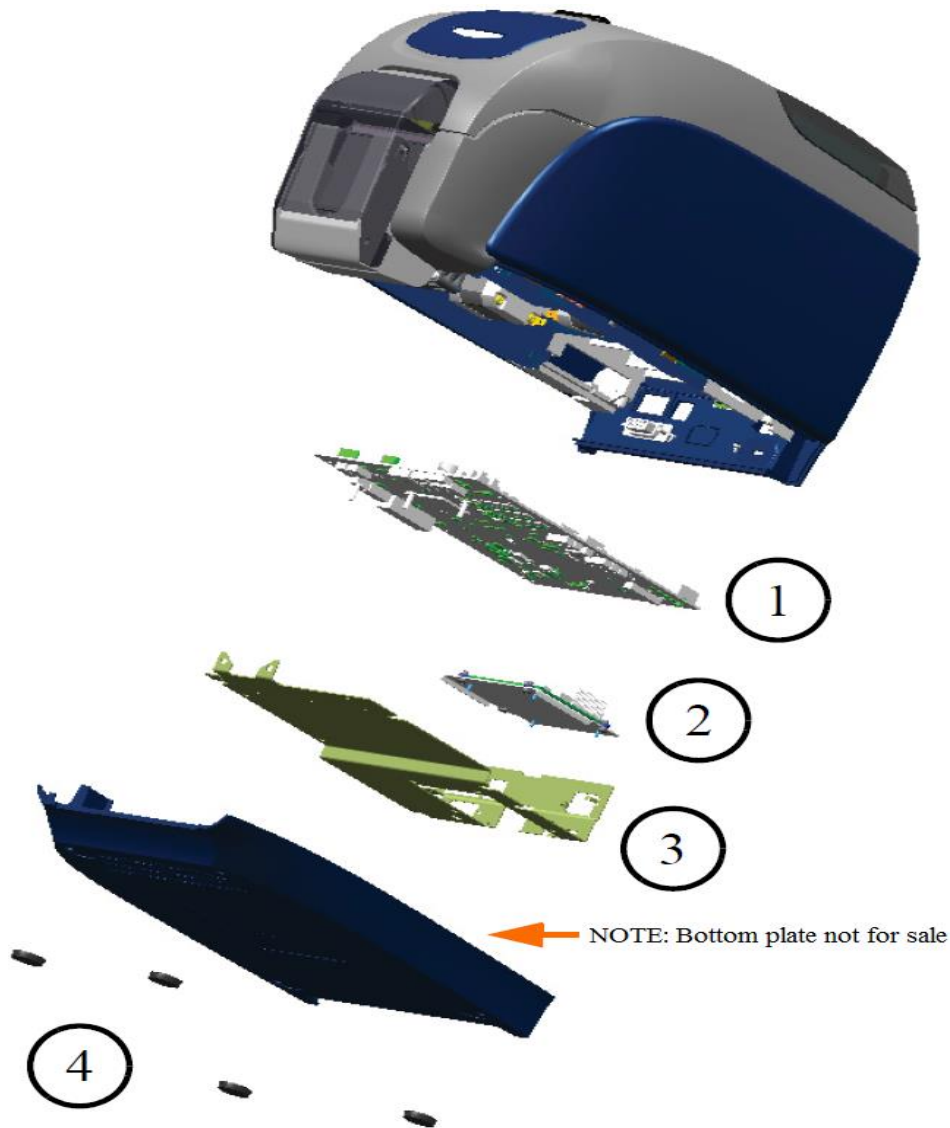


Item Number	Description	Part Number	Kit Quantity
1	Kit Lid Ribbon Encoder Sensor ZXP3	P1031925-015	1
2	Kit Encoder Disk ZXP3	P1031925-026	1
3	Kit Printhead Lift Motor ZXP3	P1031925-018	1
4	Kit Drive Gears and Camshaft ZXP3	P1031925-073	1
5	Kit Drive Linkage (left and right side) ZXP3	P1031925-072	2
6	Kit Springs for Linkage (left and right side) ZXP3	P1031925-021	2
7	Kit Ribbon Drive Motor ZXP3	P1031925-019	1
8	Kit Ribbon Drive System ZXP3	P1031925-023	1

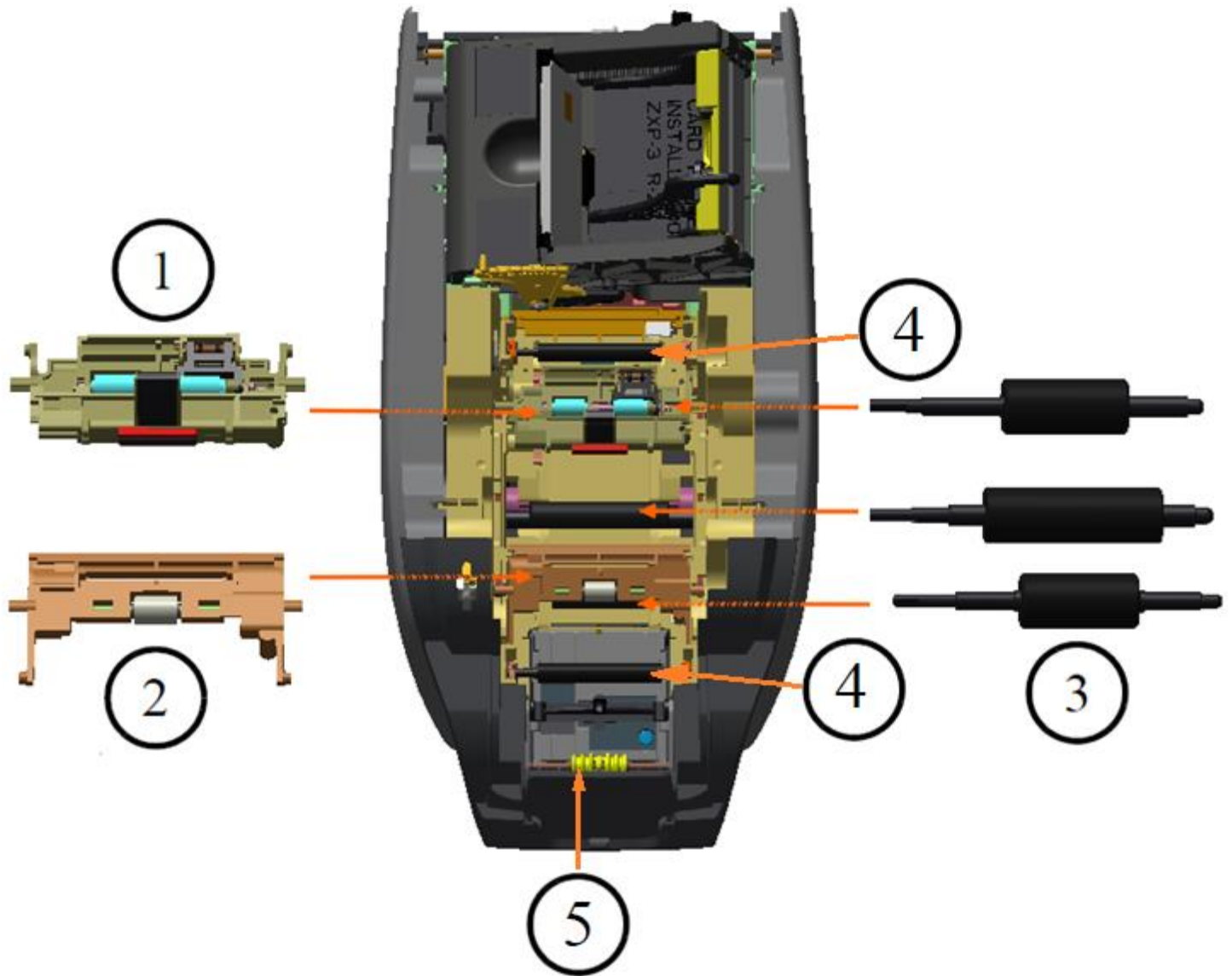


NOTE: Optional SmartCard Module (SCM)

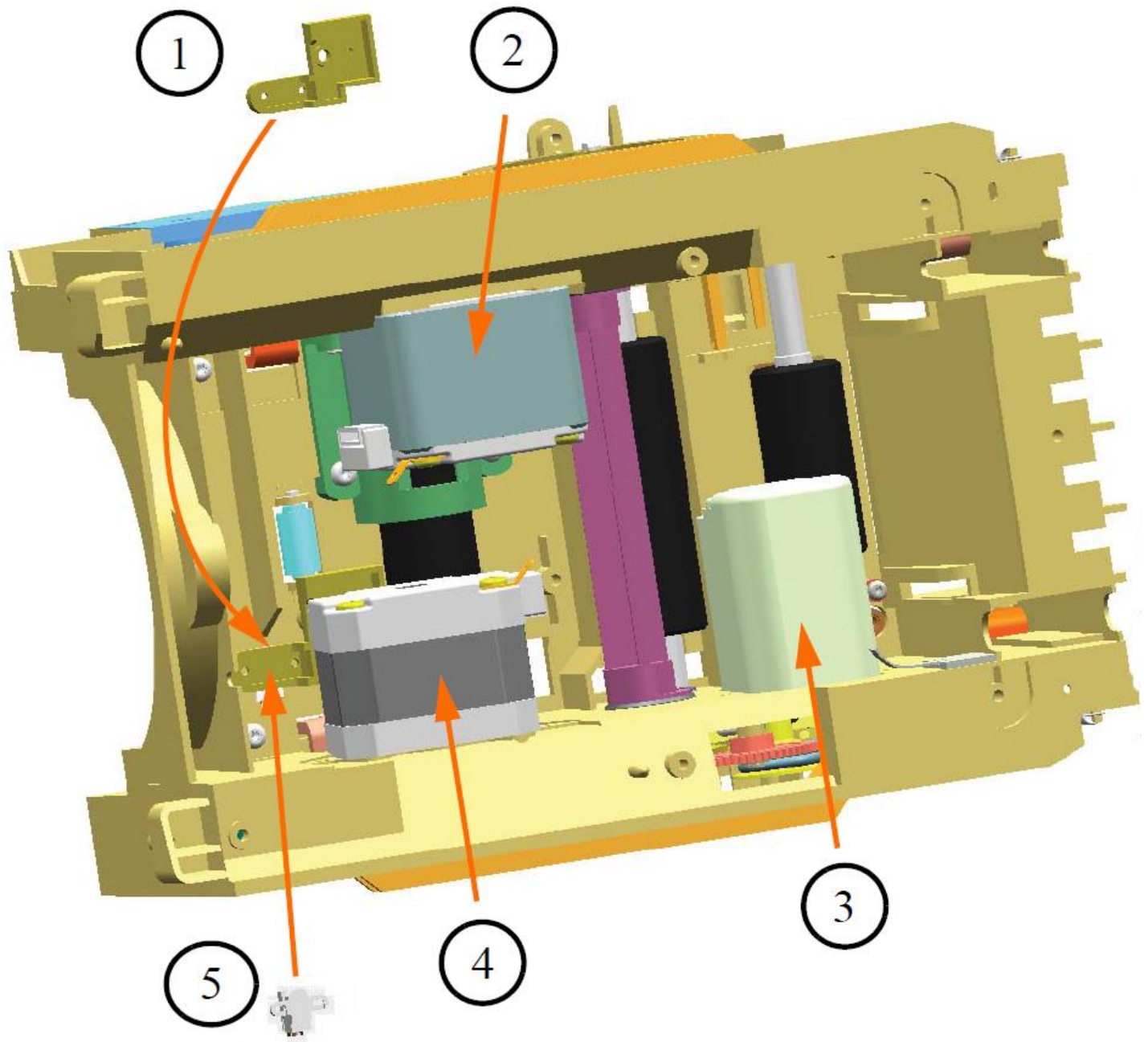
Item Number	Description	Part Number	Kit Quantity
1	Kit Smart Card Sensor ZXP3	P1031925-016	1
2	Kit Output Hopper Encoding ZXP3	P1031925-045	1
3	Kit Smart Card Belt and Pulley ZXP3	P1031925-034	1



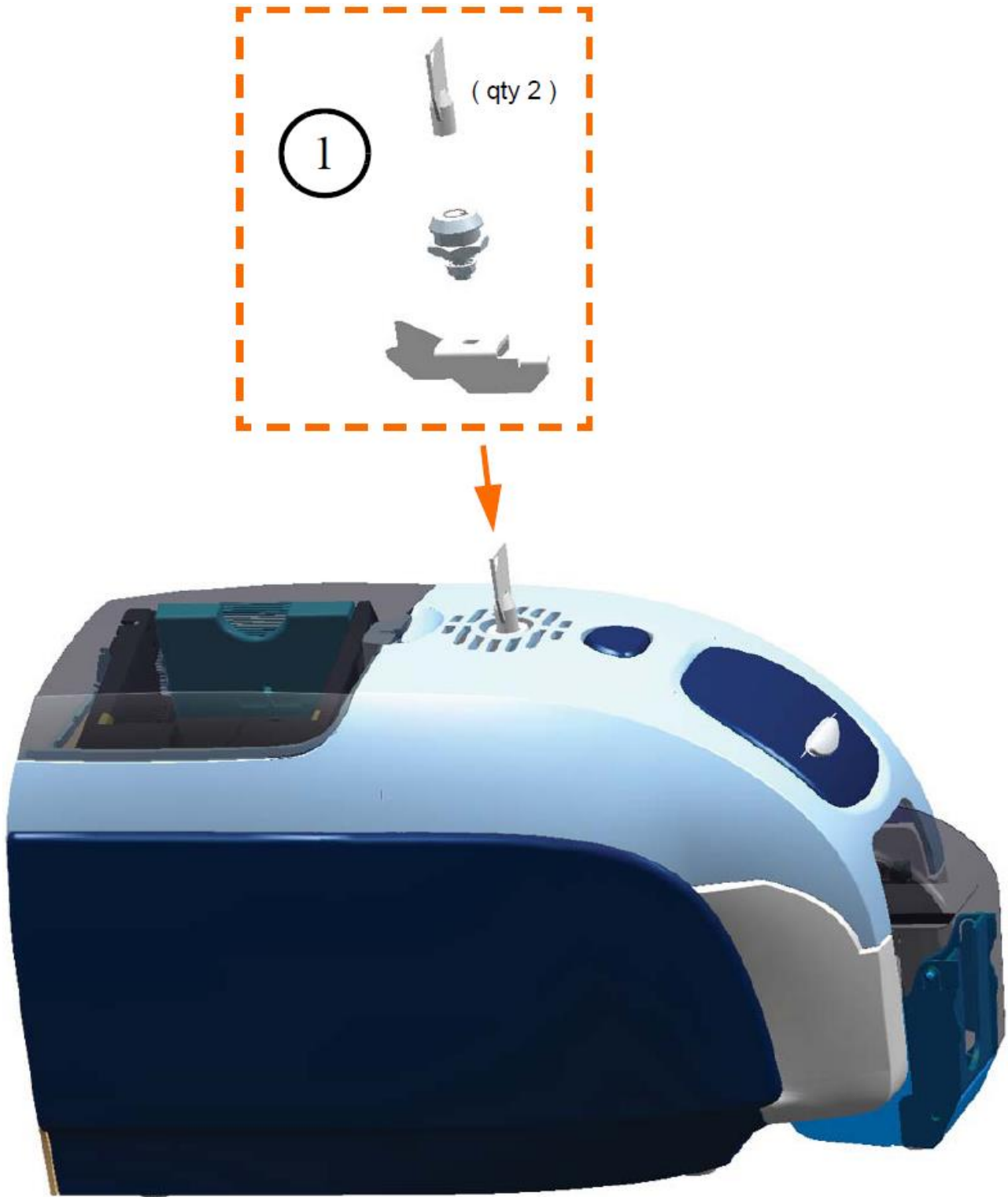
Item Number	Description	Part Number	Kit Quantity
1	Kit MLB Single Sided ZXP3 (Standard)	P1031925-207	1
	Kit MLB Dual Sided ZXP3 (Standard)	P1031925-208	1
	Kit MLB Single Sided China for Printer Part Number Z3x-xxxxxxx <u>CN</u> xx	P1031925-261	1
	Kit MLB Dual Sided China for Printer Part Number Z3x-xxxxxxx <u>CN</u> xx	P1031925-262	1
	Kit MLB Single Sided India for Printer Part Number Z3x-xxxxxxx <u>IN</u> xx	P1031925-263	1
	Kit MLB Dual Sided India for Printer Part Number Z3x-xxxxxxx <u>IN</u> xx	P1031925-264	1
	Kit MLB Single Sided Australia for Printer Part Number Z3x-xxxxxxx <u>AU</u> xx	P1031925-265	1
	Kit MLB Dual Sided Australia for Printer Part Number Z3x-xxxxxxx <u>AU</u> xx	P1031925-266	1
2	Kit Ethernet PCBA ZXP3	P1031925-201	1
3	Kit Ground Plate ZXP3	P1031925-040	1
4	Kit Feet for Printer ZXP3	P1031925-046	1
Not Shown	Kit Power Supply ZXP3	P1031925-149	1



Item Number	Description	Part Number	Kit Quantity
1	Kit, Rear Pressure Roller Assembly with Mag ZXP3	P1031925-082	1
	Kit, Rear Pressure Roller Assembly without Mag ZXP3	P1031925-083	1
2	Kit, Front Pressure Roller Assembly ZXP3	P1031925-084	1
3	Kit, Platens for Print Engine ZXP3 for Printer Part Number Z3x-xxxxx2xxxxxx	P1031925-228	1
4	Kit, Cleaning Roller (Qty 5) ZXP3	105940G-125	5
5	Kit, Flexible Ribbed Roller (Qty 5) ZXP3	P1031925-056	5



Item Number	Description	Part Number	Kit Quantity
1	Kit Mag Head with Sensor ZXP3	P1031925-011	1
2	Kit Card Drive Motor ZXP3 for Printer Part Number Z3x-xxxxx2xxxxxx	P1031925-217	1
3	Kit Ribbon Motor ZXP3	P1031925-019	1
4	Kit Head Lift Motor ZXP3	P1031925-018	1
5	Kit SYNC Sensor ZXP3	P1031925-054	1



Item Number	Description	Part Number	Kit Quantity
1	Kit Lock Replacement ZXP3 (only if optional lock is installed)	P1031925-036	1

Misc. Items

Item Number	Description	Part Number	Kit Quantity
Not Shown	Kit Packaging for Shipping ZXP3	P1031925-050	1
Not Shown	Kit, Fabric Packaging Bag for Shipping, Set of 3	P1031925-086	3
Not Shown	Kit Misc Hardware (screws, nuts, washers, fasteners) ZXP3	P1031925-052	1
Not Shown	Kit Cables Electronics (contains all cables) ZXP3	P1031925-048	1

Upgrade Kits

Item Number	Description	Part Number	Kit Quantity
Not Shown	Kit Upgrade Ethernet PCBA ZXP3	P1031925-201	1
Not Shown	Kit Upgrade Contact Station ZXP3 for Printer Part Number Z3x-xxxxx2xxxxxx	P1031925-203	1
Not Shown	Kit Upgrade MiFare & Contact ZXP3 for Printer Part Number Z3x-xxxxx2xxxxxx	P1031925-204	1
Not Shown	Kit Upgrade Security ZXP3 for Printer Part Number Z3x-xxxxx2xxxxxx	P1031925-205	1
Not Shown	Kit Upgrade Manual Card Feed ZXP3	P1031925-077	1