

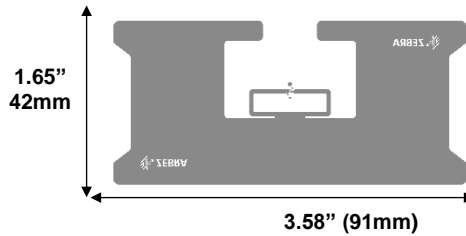


ZEBRA

Zebra ZBR4003 Inlay

DETAILS

- Advanced inlay
- High memory
- Optimized to be read from nearly any angle
- Performs well when placed on or near challenging materials (i.e. pallets, freight)
- Applications: Automotive, Freight, Assets



SUGGESTED APPLICATIONS

- Case/pallet labeling



- Transportation & Logistics



- Freight/Assets



- Automotive



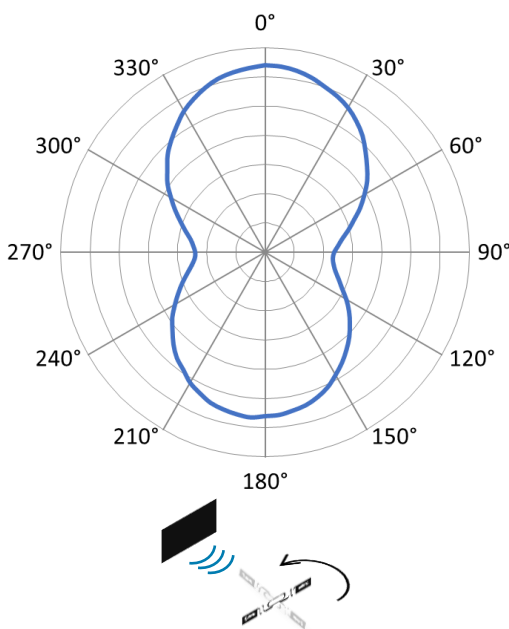
TECHNICAL INFORMATION

- Chip: Alien Higgs 9
 - EPC memory: 496 bit
 - User memory: 688 bit
 - TID: 48 bit unique
 - Read Sensitivity: -20dBm
 - Write Sensitivity: -18dBm
 - UHF RFID, EPC Gen2v2, ISO 18000-63, RAIN RFID
- Extreme high sensitivity: read range up to 14m in free space

THEORETICAL ** READ RANGES ON VARIOUS SURFACES (m)

Material	ETSI (865-868 MHz)	FCC (902-928 MHz)
Air	9	11
Cardboard	12	12
Fiberglass	13	13
Glass	12	13
PTFE	14	13
Polyacetyl	14	13
PVC	14	13
Rubber	12	12

RADIATION PATTERN*



*Read range drops to 40% of maximum when inlay is perpendicular (90° and 270°) to the reading antenna.

**Theoretical read range data is meant to be directional. Actual performance will depend on your application and environment. Testing is recommended.

All inlays certified by Zebra have been pre-tested with Zebra printers and readers.



For more information, visit www.zebra.com/supplies

Product Performance and Suitability: The information contained in this document is to be used for guidance only and is not intended for use in setting specifications. All purchasers of Zebra products shall be solely responsible for independently determining if the product conforms to all requirements of their unique application.

NA and Corporate Headquarters | +1 800 423 0442 | inquiry4@zebra.com

©2016 ZIH Corp and/or its affiliates. All rights reserved. ZEBRA and the stylized Zebra head are trademarks of ZIH Corp, registered in many jurisdictions worldwide. All other trademarks are the property of their respective owners. Nov 2019