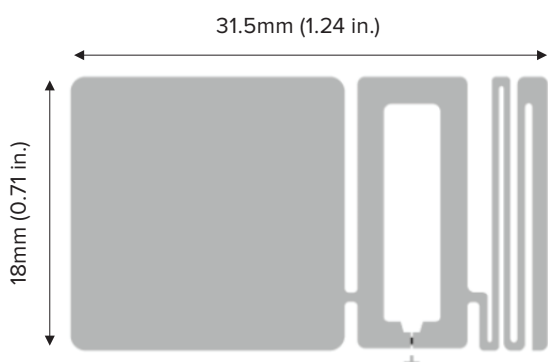


Boingtech BT577 RFID Inlay

Specialty Zebra-Certified RFID inlay

RFID inlays are critical to achieve the real-time visibility needed to streamline operations, minimize errors in asset-related data, as well as track, identify and maximize asset utilization. Zebra Certified Inlays deliver excellent performance, so you can rest assured that they will efficiently and effectively encode and read, leading to a higher application ROI, and best in-class user experience. The specialty Boingtech BT577 inlay is specially tuned for on-metal applications. Tested for optimal performance with Zebra printers and RFID readers, the Boingtech BT577 inlay enables you to maximize the benefits of RFID for the identification of metal assets.



Designed for use on metal assets

The Boingtech BT577 was designed specifically for use on metal assets and offers read ranges of up to 12m.

Zebra Certified for consistently exceptional performance

Zebra is ISO 9001 certified and use quality processes to reduce instances of unsuccessful encoding. We pre-test labels with Zebra readers and printers to ensure industry-leading performance. And, we use the same label material from order-to-order to safeguard consistency and quality.

Unmatched expertise in RFID

Zebra is your trusted expert in all things RFID. We offer end-to-end RFID solutions – including pre-tested RFID supplies made with the right materials and adhesives, along with the highest-performing inlays and chips – customized for your application. We have played a central role in pioneering RFID technologies and defining global standards since the mid-1990's, when smart-label technology first appeared. We were recognized as the #1 RFID brand by the 2018 RFID Journal's Brand Report. And we hold more than 575 RFID patents and numerous industry firsts in RFID.

Zebra ZipShip — on the shelf and ready to ship

Need an RFID on-metal labeling solution in a hurry? This inlay is in-stock and ready for immediate dispatch as part of our ZipShip program. You get fast shipment and the minimum order is just one box.

Experience market-leading read performance on metal assets with the Boingtech BT577.
For more information, please visit www.zebra.com/rfidlabels

Specifications

Technical Information

Chip	Monza MR6-P
EPC Memory	128-bit
User Memory	32-bit
TID	96 bit factory locked (48 bit unique)
Read Sensitivity	-21.1 dBm
Write Sensitivity	-18 dBm
RFID Standards	EPC Gen2v2
Read Range	Up to 12m on metal

Theoretical Read Range: ETSI (865-868 MHz)*

Metal	9m
-------	----

Theoretical Read Range: FCC (902-928 MHz)*

Metal	12m
-------	-----

Testing and Compliance

All inlays certified by Zebra have been pre-tested with Zebra printers and readers.

Material Testing in End Application

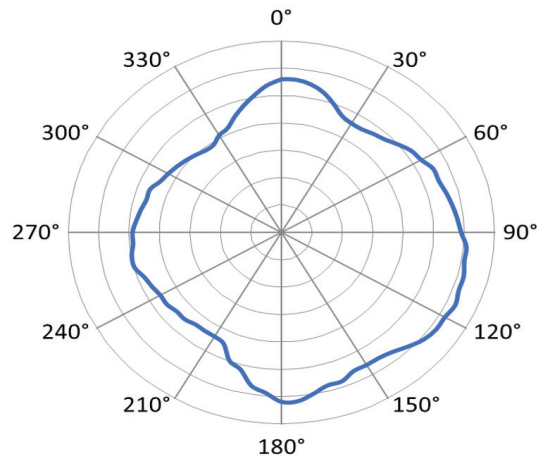
The information contained in this document is to be used for guidance only and is not intended for use in setting specifications. All purchasers of Zebra products shall be solely responsible for independently determining if the product conforms to all requirements of their unique application.

Radiation Pattern

**Read range drops to 12% of maximum when inlay is perpendicular (90° and 270°) to reading antenna. To learn more about radiation pattern, visit zebra.com/rfidlabels

Footnotes

*Theoretical read range data is meant to be directional. Actual performance will depend on your application and environment. Testing is recommend.



Markets and Applications

Retail

- Small metal item labeling

Healthcare

- Asset labeling

Government

- Field asset labeling

Manufacturing

- Component/part labeling



NA and Corporate Headquarters
+1 800 423 0442
inquiry4@zebra.com

Asia-Pacific Headquarters
+65 6858 0722
contact.apac@zebra.com

EMEA Headquarters
zebra.com/locations
contact.emea@zebra.com

Latin America Headquarters
+1 786 245 3934
contactme@zebra.com